

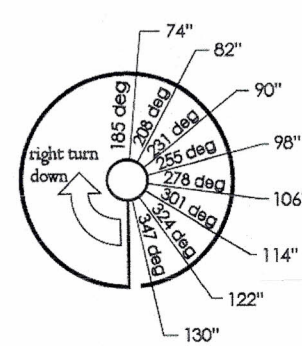
Spiral Stair Rotation

The Unique Stair's degree of turn varies according to the stair diameter and individual floor-to-floor height. These drawings illustrate the degrees of turn that correspond to floor-to-floor heights of each diameter stair.

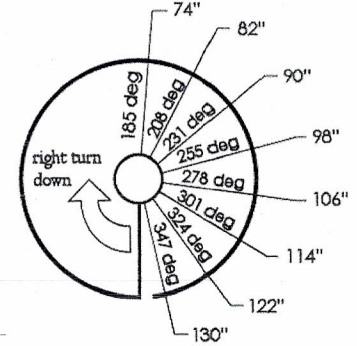
These drawings are all to 1/4" scale (1/4" = 1') so that they may be cut out and used on floor plans. Make sure you print this PDF with no page scaling (such as "reduce to printer margins", in the Reader print window), or scale of drawings will not be accurate.

The degree of turn is measured from the back of the tread where the stair is attached at the upper landing area to the front of the tread at the bottom of the stair.

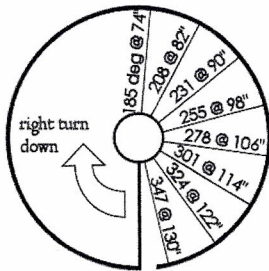
Unique 4' 6"
2.857 deg
per inch of rise



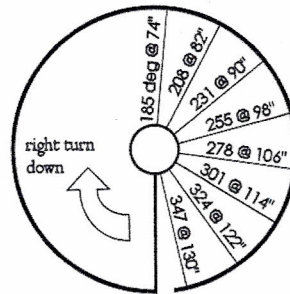
Unique 5' 0"
2.857 deg
per inch of rise



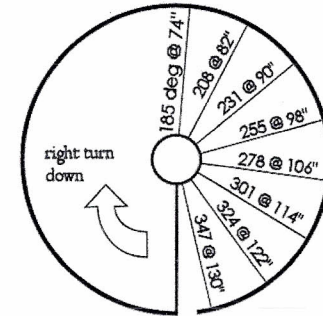
Unique 5' 6"
2.857 deg
per inch of rise



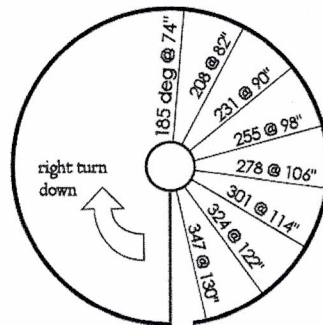
Unique 6' 0"
2.857 deg
per inch of rise



Unique 6' 6"
2.857 deg
per inch of rise



Unique 6' 8"
2.857 deg
per inch of rise



Unique 7' 0"
2.857 deg
per inch of rise

